



VP Series Network Video Recorder

Surveillance NVR with Built In PoE

The VP Series Network Video Recorders (NVRs) are a scalable control and archive platforms with an embedded 4-Port or 8-Port Power-over-Ethernet PoE) switch for IP video surveillance applications. This SurVIS™ (Surveillance Video Information Server) NVR comes in a rack mount or small desktop form factor, runs commercially available Digital Video Surveillance Management software and is available with 1 TB, 2 TB or 4 TB of video archive capacity. It comes with a Microsoft Windows Operating System pre-installed and allows the user to view live or recorded video across 1, 2 or 4 monitors. The VP series of products optimize performance for mega-pixel cameras with a camera count matching the number of ports available on the embedded switch. The inclusion of the embedded PoE switch simplifies the installation as there isn't a need for an external switch or camera power supplies. The 8-port PoE switch is powered via a "power brick" which plugs into the NVR while the 4-port switch is powered via an internal power supply. The 8 RJ-45 Ethernet ports are available through a dongle attached to the NVR.

The VP series NVRs are intended to support mega-pixel cameras and ease the installation process so that the NVR approaches the simplicity of the DVR. The switch looks like a LAN port within Windows and can be programmed (i.e. set a fixed IP address) via the same tools. When using 1080p cameras, with over 6 times the viewing area of standard analog cameras, the VP108 is capable of providing as much recorded video area as a 54 channel DVR.

Applications and Features

Applications:

- Small Office
- Health and Fitness Centers
- Residential
- Convenience Stores
- Food Service Establishments
- Day Care Centers



Features:

- Desktop or Rack Mount Footprint
- Intel® Dual Core Technology
- Flexible video archive size: 1 GB to 4 TB
- Microsoft Windows® 7 Operating System
- Embedded Power-over-Ethernet Switch
- Support for 1, 2 or 4 monitors

Common Configuration:

- **VP108:** 3.2 GHz i3 Dual Core processor, 2 GB RAM, up to 4 TB of Storage in fixed bays, Windows 7 Pro, DVD RW and one 10/100/1000 Mbps LAN Port (not including the 8-port switch) and 8 PoE connections
- **VP104:** 3.2 GHz i3 Dual Core processor, 2 GB RAM, up to 4 TB of Storage in fixed bays, Windows 7 Pro, DVD RW and one 10/100/1000 Mbps LAN Port (not including the 8-port switch) and 4 PoE connections



ViSTA Networking Solutions

Specifications:

SUPPLIED ACCESSORIES

Power Cable (s)	1 USA Standard 117VAC, 3 prongs, 6ft 1 "Octopus" (8 RJ-45 connectors) cable
Keyboard	1 Basic Keyboard
Mouse	1 USB/PS2, Scroll Wheel, 3 Button
Restore	All original installation discs
PoE Power	External PoE power supply and cables

SYSTEM

Processor	Intel® i3 Dual Core
Internal Memory	2GB DDR3 RAM 1333 MHz
Operating System	Windows 7
Operating System Storage	60GB
Video Archive Capacity	Up to 4 TB of SATA II Storage
RAID Level	None
Network Interface	8 10/100 Mbps Ethernet RJ-45 (100Base-T) and 1 Gigabit RJ-45 (1000Base-T)
Auxiliary Interfaces	USB 2.0 Ports

VIDEO

CIF Processing Equivalent	Up to Eight (8) 3 Mbps* Cameras
Resolution	QCIF to mega-pixel based camera spec
Display	1, 2 or 4 monitor outputs available

ETHERNET SWITCH

Camera Ports	4 or 8 RJ-45 10/100 Mbps Ports
IEEE Standards	Camera Ports 802.3 (10Base-T Ethernet) 802.3u (100Base-Tx Ethernet) 802.3u Auto-negotiation 802.3x Duplex and Flow Control 802.3q VLAN 802.3p Priority Tagging Gigabit Internal Port 802.3ab (1000 Base-T Ethernet) 802.3q VLAN 802.3p Priority Tagging 802.3x Full Duplex Operation
Default IP Address	192.168.1.1

POWER-OVER-ETHERNET

Camera Ports	4 or 8 RJ-45 10/100 Mbps Ports
IEEE Standards	802.3af PoE Mode B up to 450mA (12.95W) per port 802.3at PoE Mode B up to 600mA (25.5W) per port
Features	PD Detection and Classification Over / Under Voltage Protection AC Disconnection Monitoring Current Foldback
Power	PoE Ports Powered by Provided External Power Brick (Unique for 802.3at or 802.3af)

ENVIRONMENTAL

Operating	10° to 32° C (50° to 90° F), 8% to 80% (non-condensing)
Storage	-40° to 70° C (-40° to 158° F), 5 to 95% (non-condensing)



ViSTA Networking Solutions

PHYSICAL

CASE A

Form Factor	Mid-Tower Desk Top with 2 Internal Storage Bays
Power Supply	430 watt
Cooling	1 rear 120mm Fan
Dimensions	(HxWxD) 18.3 x 8.25 x 18.6 in. (465 x 210 x 472 mm)
Unit Weight (gross)	Approximately 25 lbs (11.4 kg.)

CASE K

Form Factor	2U Rack Mount with 2 Internal Storage Bays
Power Supply	600 watt
Cooling	2x80mm (front) & 1x60mm, 2x40mm Fans (Rear)
Dimensions	(HxWxD) 3.5 x 19.4 x 16.6 in. (88 x 493 x 422 mm)
Unit Weight (gross)	Approximately 30 lbs (13.6 kg.)

STORAGE CONSIDERATIONS

The VP series NVR comes with one of three storage configurations: 1 TB, 2TB or 4 TB. You can use the chart below (Days of Archive) to assist your storage selection. Simply find the column with the estimated motion for your application, scroll down this column until you reach the row with the number of days of storage you need (err on the high side) and the row heading to the left will be the storage configuration requirement. This number will be used for system orders – see Part Numbering below.

Days of Archive: 8 Cameras

		Motion									
		10%	20%	30%	40%	50%	60%	70%	80%	90%	100%
Storage (TB)	1	30	15	9	7	5	4	3	3	2	2
	2	65	32	21	16	12	10	9	7	6	5
	4	132	66	44	32	26	21	18	15	14	12

Days of Archive: 4 Cameras

		Motion									
		10%	20%	30%	40%	50%	60%	70%	80%	90%	100%
Storage (TB)	1	60	30	18	14	10	8	6	6	4	4
	2	130	64	42	32	24	20	18	14	12	10
	4	264	132	88	64	52	42	36	30	28	24



ViSTA Networking Solutions

Part Numbering:

VNS VP Part numbers are 10 characters.

Platform:

VP1xx: Entry Level PoE NVR

Platform:

xx: Number of PoE Ports

Form Factor:

A: Mid-Tower Desktop

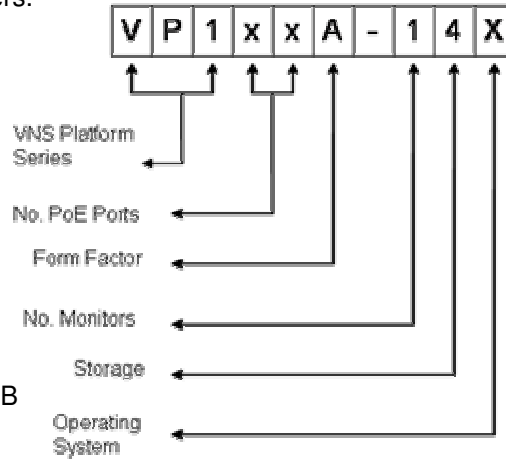
K: 2U Rack Mount

Number of Monitors: 1, 2, or 4

Storage: 1 = 1TB, 2 = 2TB and 4 = 4TB

Software:

X: Windows 7 Professional



IDENTIFIER LEGEND AND OPTIONS

PLATFORM SERIES FOR VNS SERVERS:

VP

Number of PoE Ports:

08 = 8

FORM FACTOR:

A = Desktop

NUMBER OF MONITORS:

1 = One

2 = Two

4 = Four

STORAGE in 10's of GB:

1 = 1 TB

2 = 2 TB

4 = 4 TB

OPERATING SYSTEM:

X = Windows 7 Professional

K = Windows 2008 Server

Example:

VP108A-14X: Desktop PoE enabled NVR with 8 PoE ports, support for one monitor, 4TB of video storage and Windows 7 Professional OS.



ViSTA Networking Solutions

Intel and i3 are registered trade marks of Intel Corporation
Windows is a registered trade mark of Microsoft Corporation