



VB101 Video Bunker

Fire and Water Proof Video Recorder Featuring Axis Camera Station VMS

The VB101 Video Bunker is an on-premises disaster recoverable video surveillance Network Video Recorder (NVR). The solution consists of a small embedded NVR pre-configured with Axis* Communications Axis Camera Station (ACS) Video Management Software (VMS) and an external theft resistant, fireproof-waterproof hard drive with 2 years of Data Recovery Services. The storage drive can be ordered as a single drive or as a RAID 1 volume and has been preset and configured within ACS to support video and database recording. The Video Bunker can support up to eight (8) 1080p 30 FPS cameras, or video streams, recording continuously for 4 days. Video data rates are expected in the 20 Mbps to 40 Mbps range exceeding most internet upload speeds.

The VB101 headless operation means the system doesn't need a monitor or keyboard/mouse attached to be maintained, monitored or set up. The system is accessed as a Server in a larger ACS environment with the easily recognizable name: VB-SN, where SN is unique serial number for each NVR. The Video Bunker's autonomous operation allows the unit to be placed in a secure location or separate room as the only connections needed are LAN and power. For further security an optional floor mount kit is available for the VB101. The unit auto starts after a power loss.

The Video Bunker is intended to be used as an insurance policy for up to 8 mission critical video streams in case of a disaster, providing investigators the evidence they need to assist in determining cause and culprit. The VB101 is expected to be installed in an existing ACS environment as a supplement to the primary NVR(s). However, the system can be used as a stand-alone low camera count NVR in applications requiring high physical security with disaster recovery. Higher storage options are available to support the latter application and data retention efficiency improvements can be achieved with record on motion instead of continuous recording. In case of a fire, the main surveillance system, cabling and the VB101 NVR will be destroyed but the Video Bunker hard drive with the past 4 days of video and ACS database will survive and can be sent to VNS for recovery and replacement.

Custom NVR names and IP address settings can be specified at time of order.

Applications and Features

Applications:

- On-Premises Disaster Recoverable Video Surveillance
- Theft Resistant Video Surveillance
- Small installations (up to 8 cameras)



Features:

- Small form factor
- Headless autonomous operation
- Intel® technology
- Fire and Waterproof External USB 3.0 Type A 2 TB Hard Drive(s)
- Single Drive and RAID 1 options
- Microsoft Windows® Operating System
- Optimized for Axis Camera Station Installations
- Support for up to 8 1080p 30 FPS video streams
- Separate OS and storage drives





ViSTA Networking Solutions

Specifications:

SUPPLIED ACCESSORIES

NVR Power Supply	AC 90~240V / DC 12V 3.3A/40W
Hard Drive Power Supply	25W, 80 ~ 264 VAC at 50/60 HZ
USB Cable	Type C to Type A

SYSTEM

Processors	Intel® Quad Core Pentium® CPU
Internal Memory	8 GB DDR4 RAM
Operating System	Windows 10 IoT
Operating System Storage	128 GB M.2 SSD
Video Archive Capacity	2 TB with 4 TB and 6 TB options
Archive Configuration	Single Drive or RAID 1
Network Interface	1 Gigabit Ethernet RJ-45 (1000BaseT)
Auxiliary Interfaces	USB 3.0 Ports
Data Recover Services	2 Yrs with option for 5 Yrs

VIDEO

Recommended Data Rate	Up to 40 Mbps
Resolution	1080p 30 FPS on 8 video streams
Recording Setting	4 Days Continuous (with 2TB of storage)

ENVIRONMENTAL

Operating	5° to 35° C (40° to 95° F), 8% to 90% (non-condensing)
Storage	0° to 70° C (32° to 158° F), 5 to 95% (non-condensing)
Hard Drive	0° to 843° C (32° to 1550° F)

Disaster Proof (Hard Drive)

Fire Protection	Up to 1550° F, 30 minutes per ASTM E-119
Water Protection	IP68: Fully submersed, fresh or salt water, 10 foot depth, 72 hours
Theft Protection	Metal Kensington Lock Slot, optional Floor Mount Kit

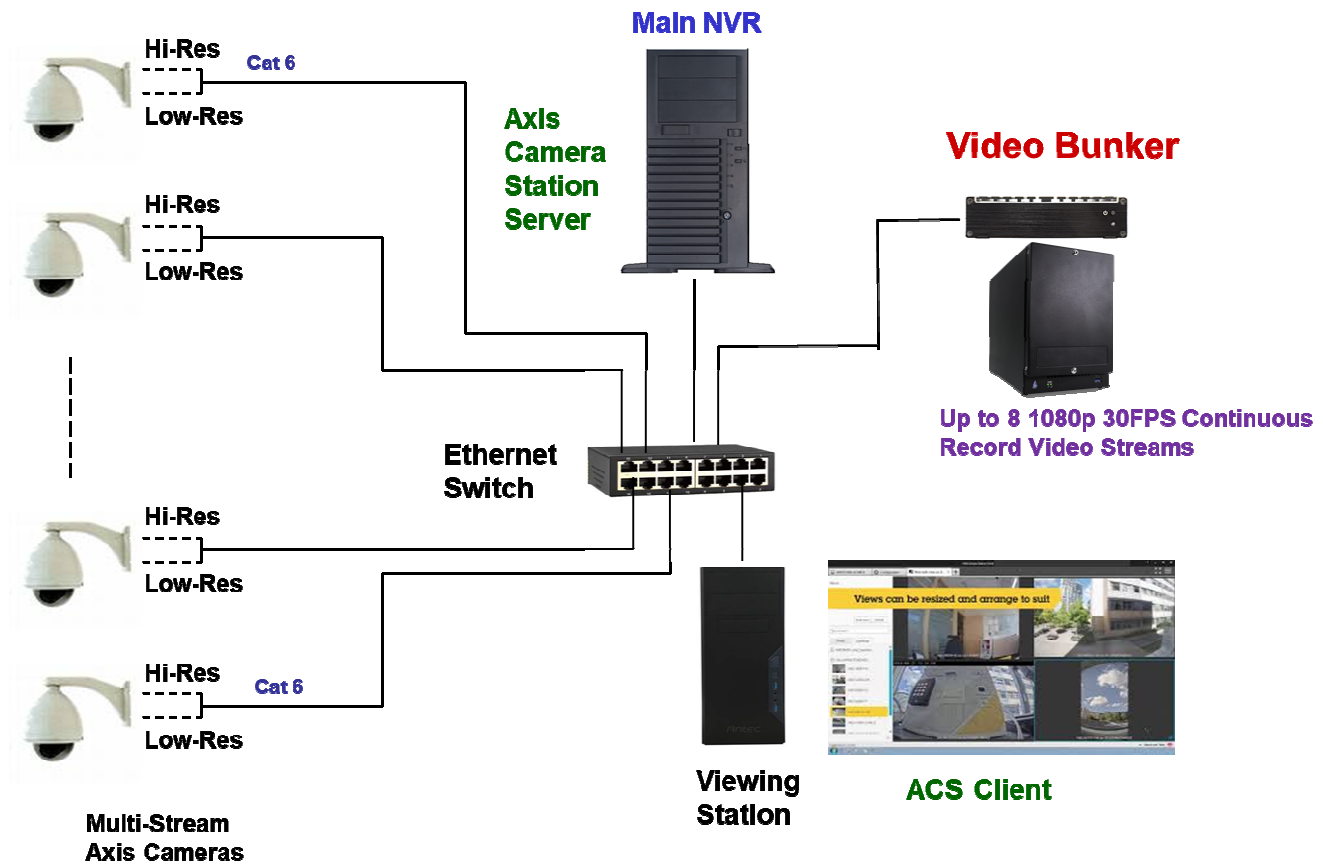
PHYSICAL

Form Factor (NVR)	Pico-ITX (Fanless)
Dimensions (Hard Drive)	150mm W x 292mm L x 230mm H (5.9in W x 11.5in L x 9.06in H)
Unit Weight (gross)	13-15 kg (28-32 lbs)



ViSTA Networking Solutions

ACS Video Bunker System Architecture



Solution Equipment

- 1) V101B Video Bunker with Axis Camera Station VMS pre-installed
- 2) Axis IP video cameras with multi-stream capability
- 3) Existing surveillance network with ACS running on main NVR(s)

Ordering Part Numbers:

VB101A-02S: 2 TB Video Bunker
 VB101A-04S: 4 TB Video Bunker
 VB101A-02R: 2 TB RAID 1 Video Bunker
 VB101A-04R: 4 TB RAID 1 Video Bunker
 VBFMK: Floor Mount Kit



* Axis is a registered trade mark of Axis Communications
 Intel and Pentium are registered trade marks of Intel Corporation
 Windows is a registered trade mark of Microsoft Corporation

Specifications subject to change without notice
 VNS is an Axis Application Development Partner